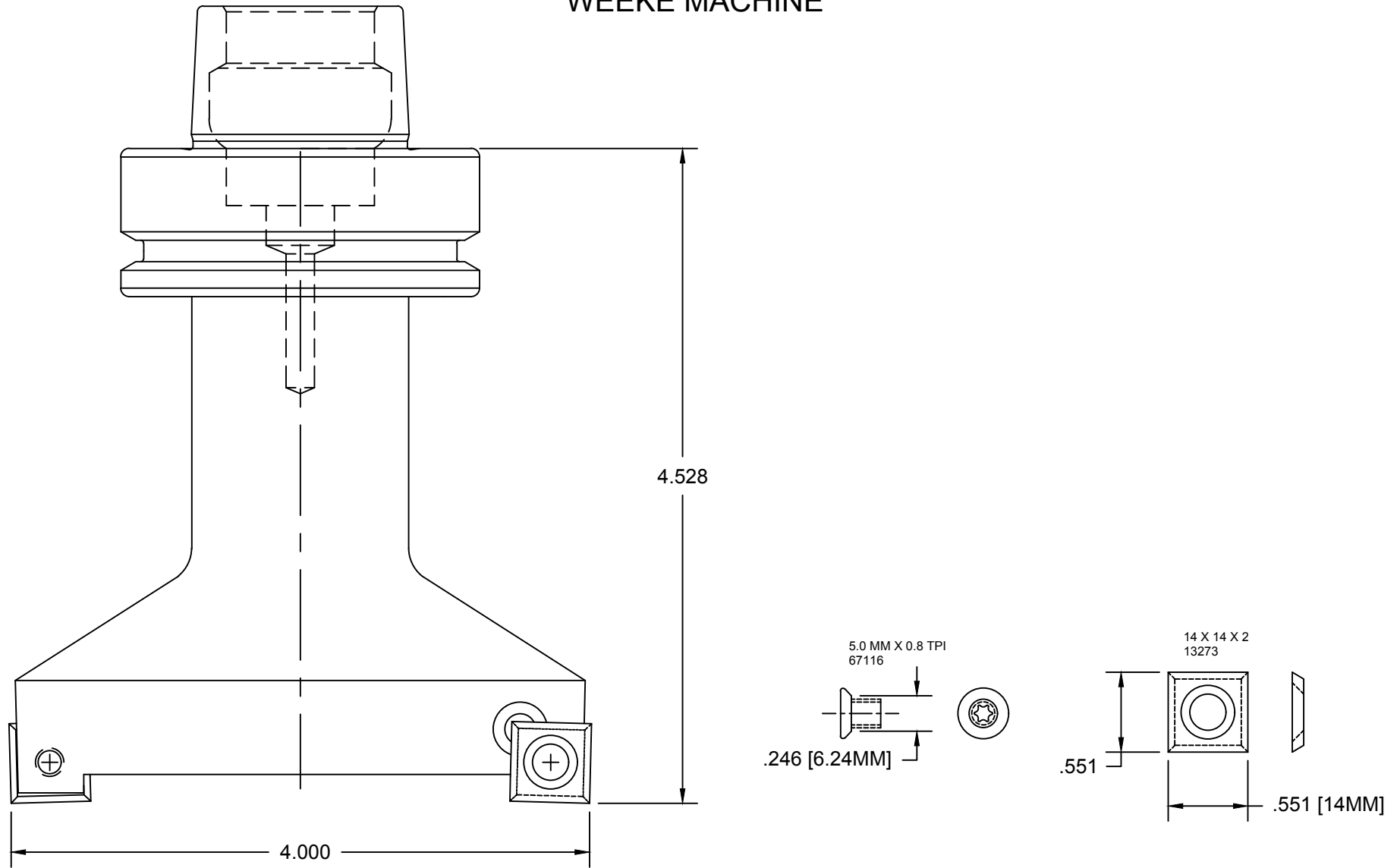


HSK63F

WEEKE MACHINE



NOTES:

VORTEX
TOOL COMPANY INC.

DATE: 07-17-18

REV. #: -

CUSTOMER: VORTEX TOOL

REV	REVISIONS	APPROVAL DATE:	TOLERANCES UNLESS SPECIFIED	PROPRIETARY INFORMATION WARNING
			FRACTIONAL +/- 1/64 DECIMAL +/- .005 ANGULAR +/- 1°	THIS DRAWING AND ITS CONTENTS ARE THE PROPERTY OF VORTEX TOOL CO. INC. AND MAY NOT BE USED, COPIED, OR DISCLOSED TO OUTSIDE PARTIES WITHOUT WRITTEN CONSENT FROM VORTEX TOOL, INC.
			BREAK ALL CORNERS NOT REQUIRED TO BE SHARP WORK TO LATEST ENGINEERING CHANGE	

TIP MATERIAL: -	BODY UNDER: -
COMP. DRWG. SIZE: -	O.D. CL. -
DRAWN BY: BRIAN	APPROVED BY: BRIAN