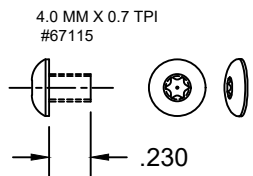
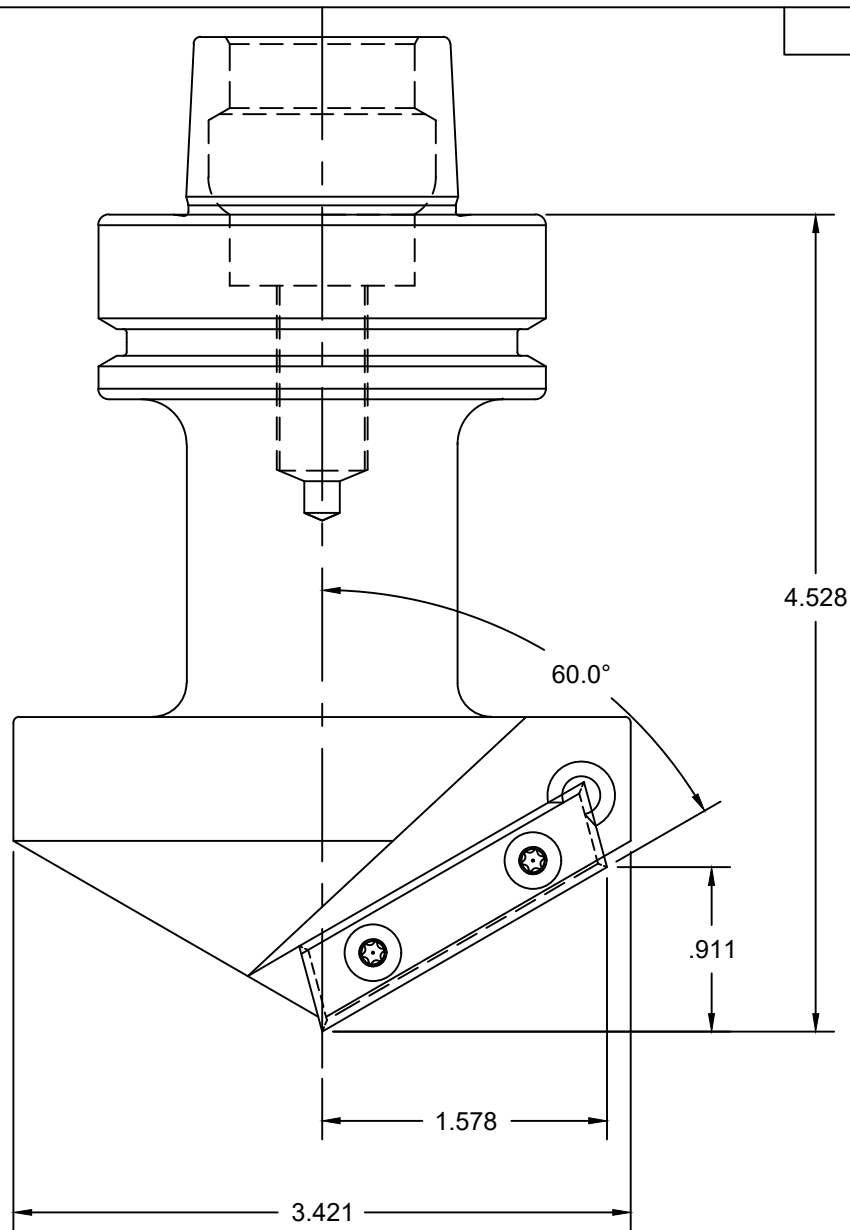


8090



SCHM-HSK63F

NOTES:

VORTEX
TOOL COMPANY INC.

DATE: 11-18-20

REV. #: 1

CUSTOMER: VORTEX STANDARD

REV	REVISIONS	APPROVAL DATE:	TOLERANCES UNLESS SPECIFIED	PROPRIETARY INFORMATION WARNING	TIP MATERIAL: IVB-50	BODY UNDER: -
			FRACTIONAL +/- 1/64	THIS DRAWING AND ITS CONTENTS ARE THE PROPERTY OF VORTEX TOOL CO. INC. AND MAY NOT BE USED, COPIED, OR DISCLOSED TO OUTSIDE PARTIES WITHOUT WRITTEN CONSENT FROM VORTEX TOOL, INC	COMP. DRWG. SIZE: -	O.D. CL. -
			DECIMAL +/- .005		DRAWN BY: -	APPROVED BY: -
			ANGULAR +/- 1°			

BREAK ALL CORNERS NOT REQUIRED TO BE SHARP

WORK TO LATEST ENGINEERING CHANGE