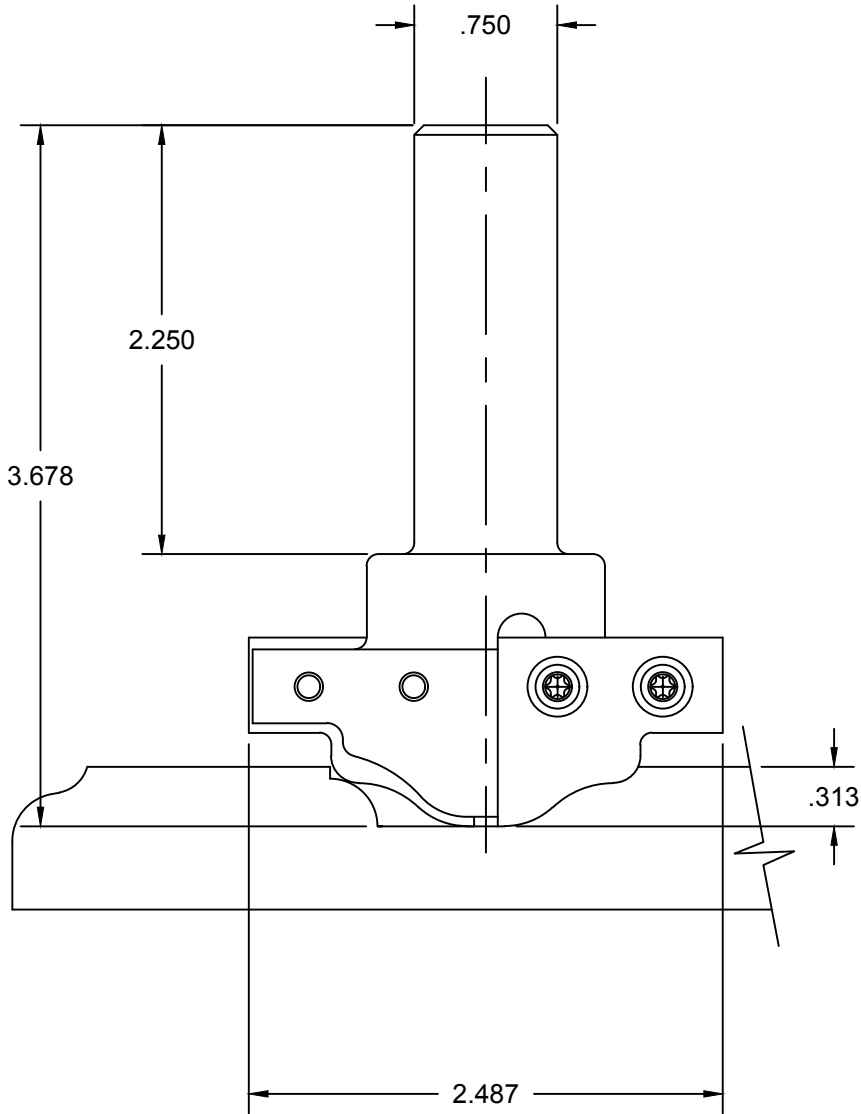
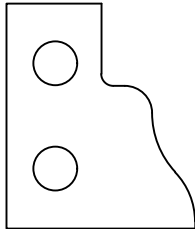
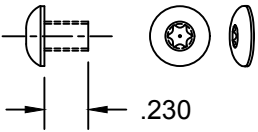


INS-10539



4.0 MM X 0.7 TPI  
AMANA #67115



NOTES:



DATE: 07-17-18

REV. #: -

CUSTOMER: VORTEX TOOL

REV	REVISIONS	APPROVAL DATE:	TOLERANCES UNLESS SPECIFIED		PROPRIETARY INFORMATION WARNING THIS DRAWING AND ITS CONTENTS ARE THE PROPERTY OF VORTEX TOOL CO. INC. AND MAY NOT BE USED, COPIED, OR DISCLOSED TO OUTSIDE PARTIES WITHOUT WRITTEN CONSENT FROM VORTEX TOOL, INC
			FRACTIONAL +/- 1/64 DECIMAL +/- .005 ANGULAR +/- 1°	BREAK ALL CORNERS NOT REQUIRED TO BE SHARP  WORK TO LATEST ENGINEERING CHANGE	

TIP MATERIAL: -	BODY UNDER: -
COMP. DRWG. SIZE: -	O.D. CL. -
DRAWN BY: BRIAN	APPROVED BY: BRIAN