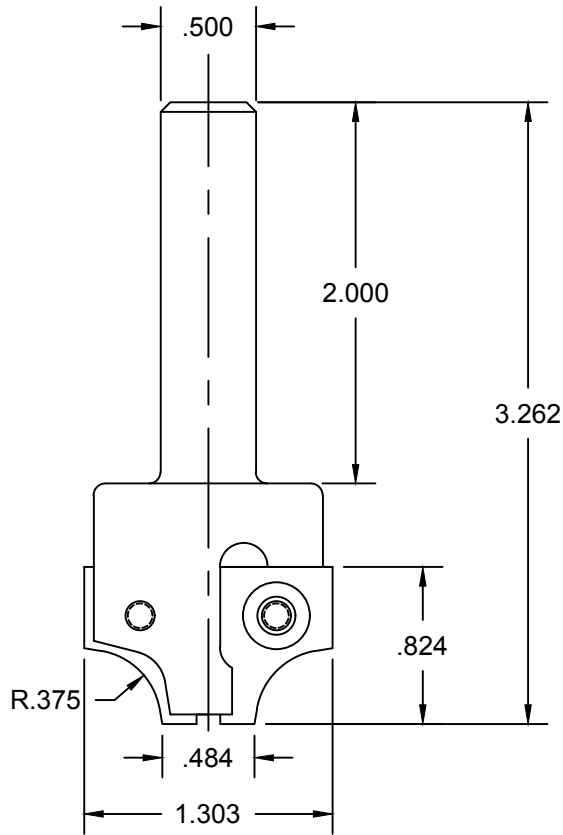
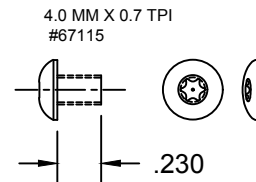
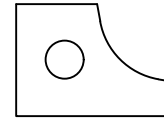


8200 BODY



INS-8204



NOTES:

**VORTEX**  
TOOL COMPANY INC.

DATE: 07-17-18

REV. #: -

REV	REVISIONS	APPROVAL DATE:	TOLERANCES UNLESS SPECIFIED		<b>PROPRIETARY INFORMATION WARNING</b> THIS DRAWING AND ITS CONTENTS ARE THE PROPERTY OF VORTEX TOOL CO. INC. AND MAY NOT BE USED, COPIED, OR DISCLOSED TO OUTSIDE PARTIES WITHOUT WRITTEN CONSENT FROM VORTEX TOOL, INC
			FRACTIONAL +/- 1/64 DECIMAL +/- .005 ANGULAR +/- 1°	BREAK ALL CORNERS NOT REQUIRED TO BE SHARP  WORK TO LATEST ENGINEERING CHANGE	
CUSTOMER: VORTEX TOOL					
			TIP MATERIAL: -		BODY UNDER: -
			COMP. DRWG. SIZE: -		O.D. CL. -
			DRAWN BY: MORGAN		APPROVED BY: BRIAN