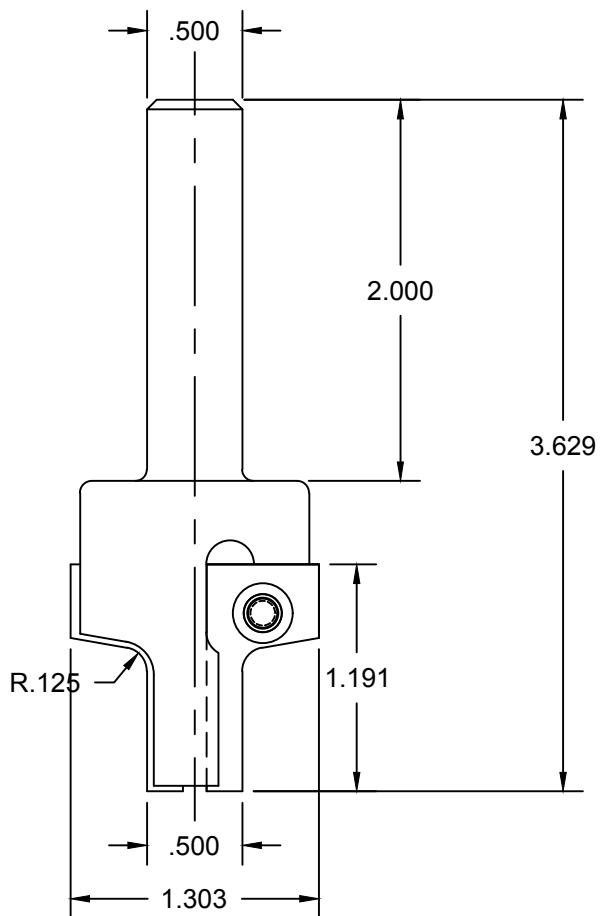
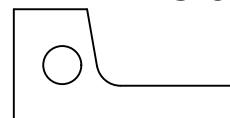


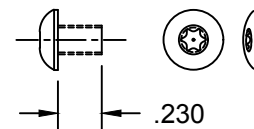
8210 BODY



INS-8211



4.0 MM X 0.7 TPI
#67115



NOTES:

VORTEX
TOOL COMPANY INC.

DATE: 07-17-18

REV. #: -

REV	REVISIONS	APPROVAL DATE:	TOLERANCES UNLESS SPECIFIED	PROPRIETARY INFORMATION WARNING	CUSTOMER: VORTEX TOOL	
			FRACTIONAL +/- 1/64	THIS DRAWING AND ITS CONTENTS ARE THE PROPERTY OF VORTEX TOOL CO. INC. AND MAY NOT BE USED, COPIED, OR DISCLOSED TO OUTSIDE PARTIES WITHOUT WRITTEN CONSENT FROM VORTEX TOOL, INC	TIP MATERIAL: -	BODY UNDER: -
			DECIMAL +/- .005		COMP. DRWG. SIZE: -	D.D. CL. -
			ANGULAR +/- 1°		DRAWN BY: MORGAN	APPROVED BY: BRIAN

BREAK ALL CORNERS NOT REQUIRED TO BE SHARP
WORK TO LATEST ENGINEERING CHANGE