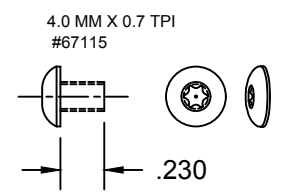
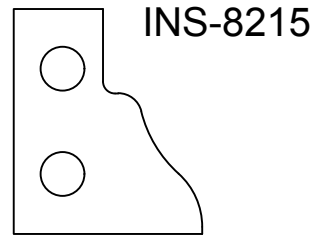
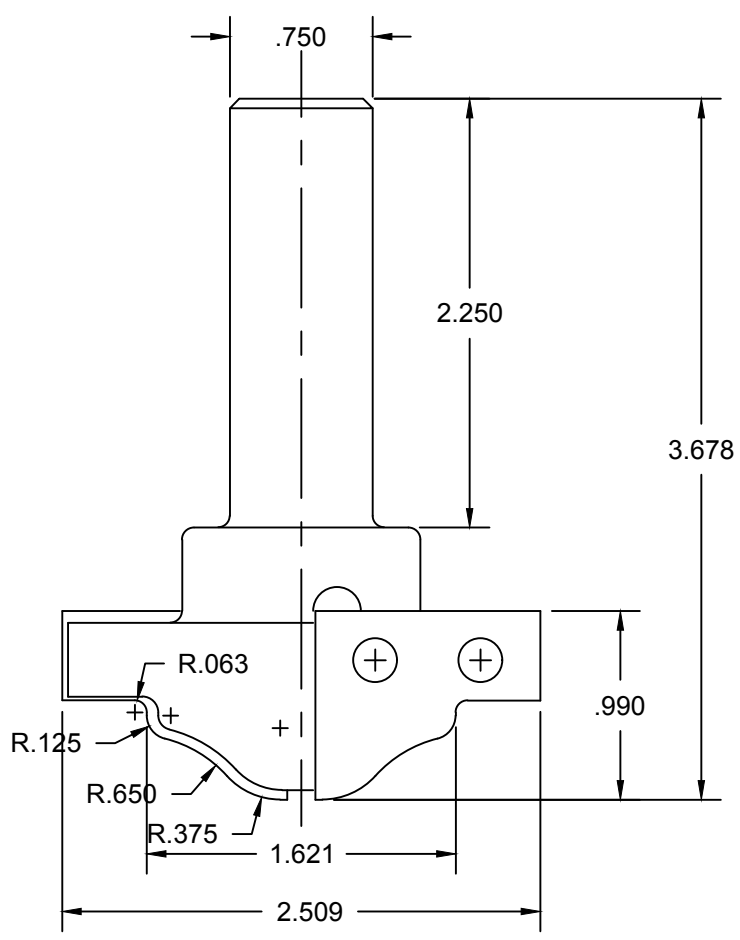


8215 BODY



NOTES:



DATE: 07-17-18  
REV. #: -

|     |           |                |                             |                                            |                                                                                                                                                                                                                             |                       |                    |
|-----|-----------|----------------|-----------------------------|--------------------------------------------|-----------------------------------------------------------------------------------------------------------------------------------------------------------------------------------------------------------------------------|-----------------------|--------------------|
| REV | REVISIONS | APPROVAL DATE: | TOLERANCES UNLESS SPECIFIED |                                            | <b>PROPRIETARY INFORMATION WARNING</b><br>THIS DRAWING AND ITS CONTENTS ARE THE PROPERTY OF VORTEX TOOL CO. INC. AND MAY NOT BE USED, COPIED, OR DISCLOSED TO OUTSIDE PARTIES WITHOUT WRITTEN CONSENT FROM VORTEX TOOL, INC | CUSTOMER: VORTEX TOOL |                    |
|     |           |                | FRACTIONAL<br>+/- 1/64      | BREAK ALL CORNERS NOT REQUIRED TO BE SHARP |                                                                                                                                                                                                                             | TIP MATERIAL: -       | BODY UNDER: -      |
|     |           |                | DECIMAL<br>+/- .005         | WORK TO LATEST ENGINEERING CHANGE          |                                                                                                                                                                                                                             | COMP. DRWG. SIZE: -   | O.D. CL. -         |
|     |           |                | ANGULAR<br>+/- 1°           |                                            |                                                                                                                                                                                                                             | DRAWN BY: MORGAN      | APPROVED BY: BRIAN |