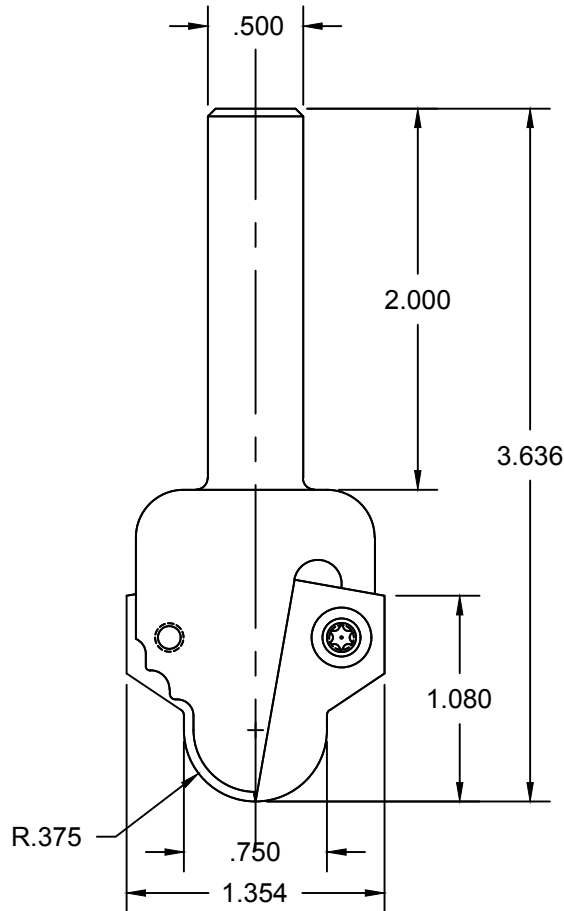
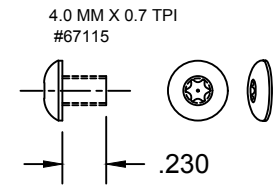
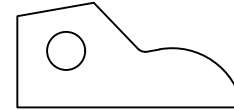


8220 BODY



INS-8220



NOTES:

VORTEX
TOOL COMPANY INC.

DATE: 07-17-18

REV. #: -

CUSTOMER: VORTEX TOOL

| REV | REVISIONS | APPROVAL DATE: | TOLERANCES UNLESS SPECIFIED | PROPRIETARY INFORMATION WARNING |
|-----|-----------|----------------|---|---|
| | | | FRACTIONAL +/- 1/64 DECIMAL +/- .005 ANGULAR +/- 1° | THIS DRAWING AND ITS CONTENTS ARE THE PROPERTY OF VORTEX TOOL CO. INC. AND MAY NOT BE USED, COPIED, OR DISCLOSED TO OUTSIDE PARTIES WITHOUT WRITTEN CONSENT FROM VORTEX TOOL, INC |
| | | | BREAK ALL CORNERS NOT REQUIRED TO BE SHARP WORK TO LATEST ENGINEERING CHANGE | |

TIP MATERIAL: -

BODY UNDER: -

COMP. DRWG. SIZE: -

O.D. CL. -

DRAWN BY: MORGAN

APPROVED BY: BRIAN