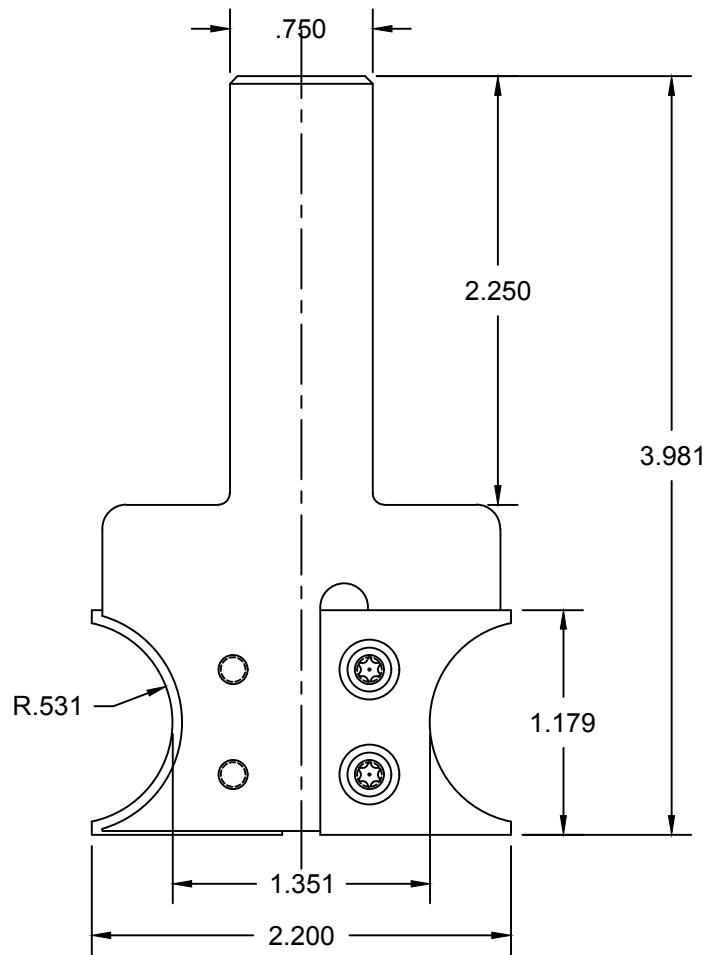
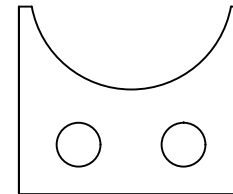


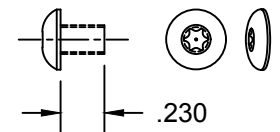
8240 BODY



INS-8241



4.0 MM X 0.7 TPI
#67115



NOTES:

VORTEX
TOOL COMPANY INC.

DATE: 07-17-18

REV. #: -

CUSTOMER: VORTEX TOOL

| REV | REVISIONS | APPROVAL DATE: |
|-----|-----------|----------------|
| | | |
| | | |

| TOLERANCES UNLESS SPECIFIED | |
|-----------------------------|--|
| FRACTIONAL +/- 1/64 | BREAK ALL CORNERS NOT REQUIRED TO BE SHARP |
| DECIMAL +/- .005 | WORK TO LATEST ENGINEERING CHANGE |
| ANGULAR +/- 1° | |

PROPRIETARY INFORMATION WARNING
THIS DRAWING AND ITS CONTENTS ARE THE PROPERTY OF VORTEX TOOL CO. INC. AND MAY NOT BE USED, COPIED, OR DISCLOSED TO OUTSIDE PARTIES WITHOUT WRITTEN CONSENT FROM VORTEX TOOL, INC

TIP MATERIAL: -

BODY UNDER: -

COMP. DRWG. SIZE: -

O.D. CL. -

DRAWN BY: MORGAN

APPROVED BY: BRIAN