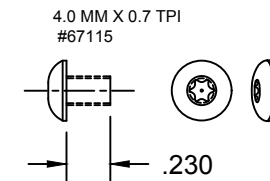
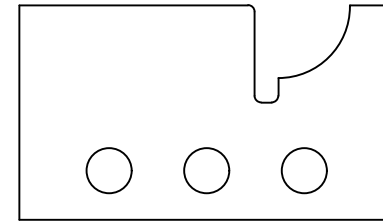
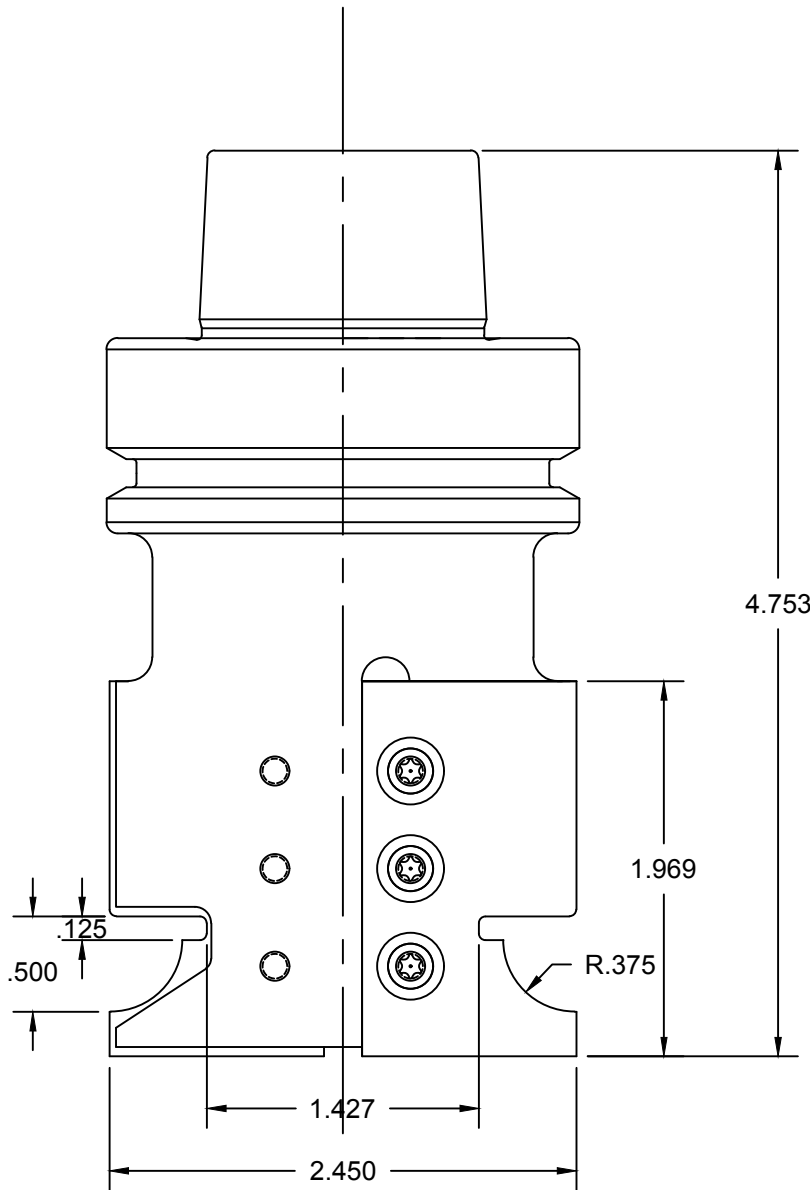


8525 BODY

INS-8282-KITHSK

INS-8282



NOTES:

VORTEX
TOOL COMPANY INC.

DATE: 07-17-18

REV. #: -

CUSTOMER: VORTEX TOOL

REV	REVISIONS	APPROVAL DATE:	TOLERANCES UNLESS SPECIFIED		PROPRIETARY INFORMATION WARNING THIS DRAWING AND ITS CONTENTS ARE THE PROPERTY OF VORTEX TOOL CO. INC. AND MAY NOT BE USED, COPIED, OR DISCLOSED TO OUTSIDE PARTIES WITHOUT WRITTEN CONSENT FROM VORTEX TOOL, INC
			FRACTIONAL +/- 1/64 DECIMAL +/- .005 ANGULAR +/- 1°	BREAK ALL CORNERS NOT REQUIRED TO BE SHARP WORK TO LATEST ENGINEERING CHANGE	
					TIP MATERIAL: -
					BODY UNDER: -
					COMP. DRWG. SIZE: -
					O.D. CL. -
					DRAWN BY: MORGAN
					APPROVED BY: BRIAN